

Fujinon High Definition All-Rounder XA50x9.5BESM



Remarkable value! Once again, Fujinon's leading technology is setting new standards in quality. The all-new XA50x9.5BESM (All-Rounder) was developed in response to customer demand for a lens that is ideal

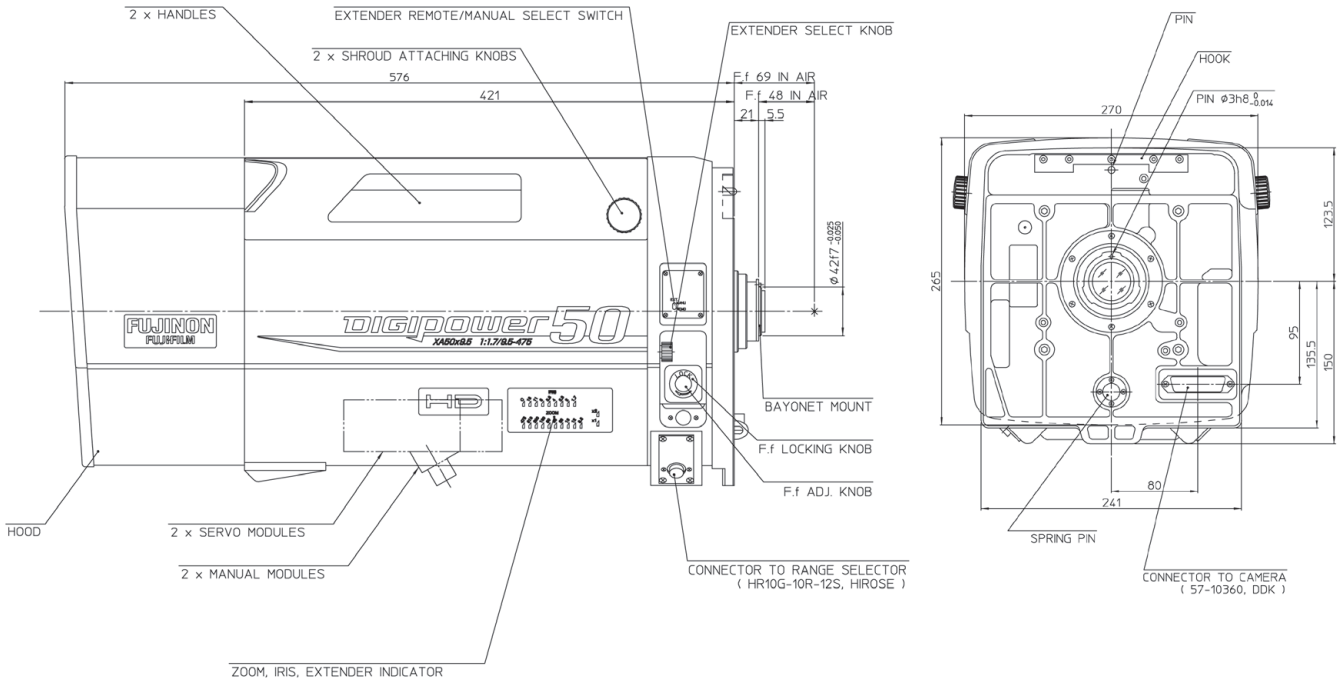
for small to medium-sized studios, indoor sport events and concert venues. It can be fitted with an optional built-in lens supporter to be used with ENG cameras. This feature guarantees additional flexibility to a wide range of production scenarios. Its unparalleled optical quality is well in reach of the budget-conscious production house.

Fujinon's new XA50x9.5BESM provides high MTF values, advanced colour transmission, minimised chromatic aberration, superb ramping characteristics and true high-definition image resolution. Hi-tech glass materials with high refractive indexes and ultra-low dispersion are used to achieve the objective. The new XA50x9.5BESM incorporates Fujinon's renowned DIGI POWER functions. Fujinon continues its commitment to technological advancement, setting the highest standards in product quality.

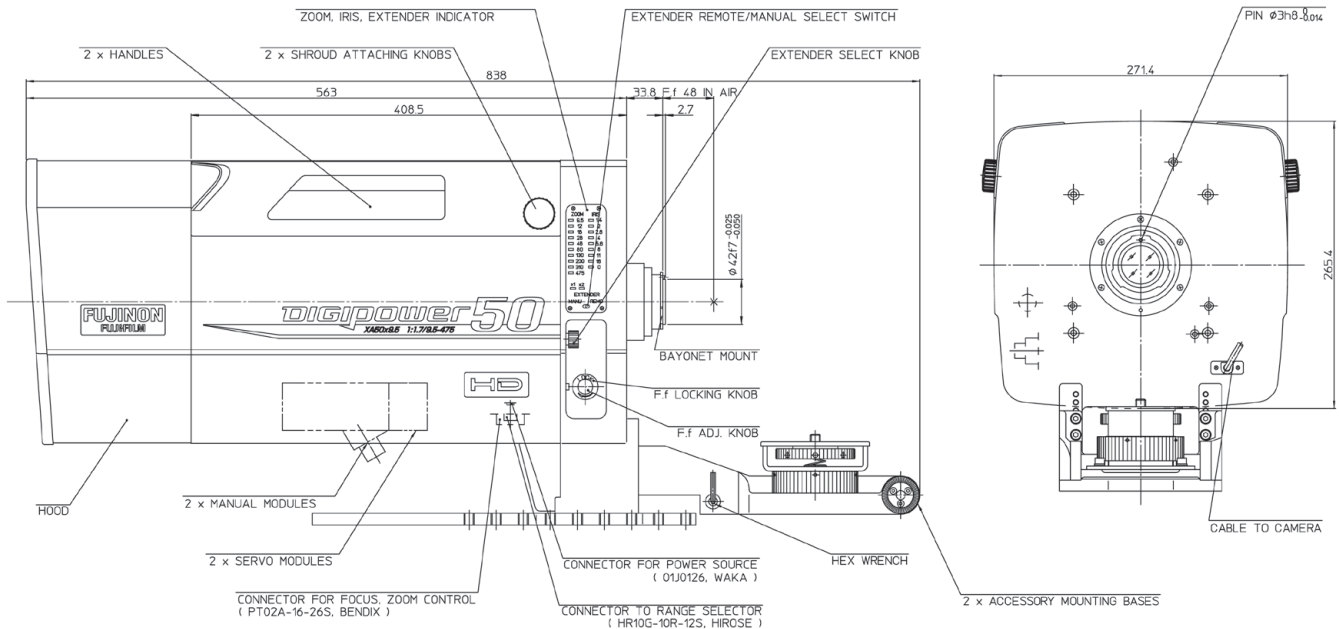
Fujinon. To see more is to know more.

Specifications/Lens	XA50x9.5BESM	XA50x9.5BESM-5L
Application	2/3" Format	2/3" Format portable colour camera (prism optical system)
Zoom ratio	50x	50x
Extender	2x	2x
Focal length w/o extender	9.5–475 mm	9.5–475 mm
Focal length w/ extender	19–950 mm	19–950 mm
Maximum relative aperture	F1.7 (9.5–311 mm) / F2.6 (475 mm)	F1.7 (9.5–311 mm) / F2.6 (475 mm)
Angular field of view 16:9 Aspect ratio	(1x) 9.5 mm: 53°34' x 31°41' / (1x) 475 mm: 1°09' x 0°39' (2x) 19 mm: 28°20' x 16°09' / (2x) 950 mm: 0°35' x 0°20'	(1x) 9.5 mm: 53°34' x 31°41' / (1x) 475 mm: 1°09' x 0°39' (2x) 19 mm: 28°20' x 16°09' / (2x) 950 mm: 0°35' x 0°20'
Minimum Object Distance M.O.D.	3.0 mm	
Object dimensions at M.O.D. 16:9 Aspect ratio	(1x) 9.5 mm: 2,800 x 1,575 mm / (1x) 475 mm: 56 x 31 mm (2x) 19 mm: 1,400 x 787 mm / (2x) 950 mm: 28 x 16 mm	(1x) 9.5 mm: 2,800 x 1,575 mm / (1x) 475 mm: 56 x 31 mm (2x) 19 mm: 1,400 x 787 mm / (2x) 950 mm: 28 x 16 mm
Size (H x W x L)	265 x 270 x 576 mm	343 x 272 x 838 mm
Macro	Yes	Yes
Mass (with lens hood)	19.5 kg	20.5 kg
Operating system	DIGI POWER	DIGI POWER
Features	Standard EFP lens mount	Built-in supporter

► XA50x9.5BESM-D



► XA50x9.5BESM-5L



FUJIFILM

FUJIFILM Europe GmbH

Heesenstr. 31, 40549 Düsseldorf, Germany
Tel.: +49 211-50 89 0, Fax: +49 211-50 89 344
www.fujifilm.eu