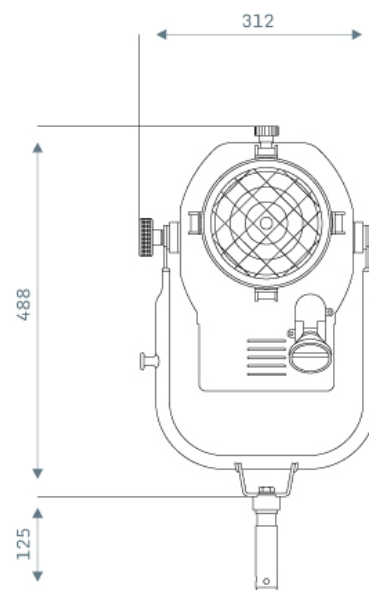
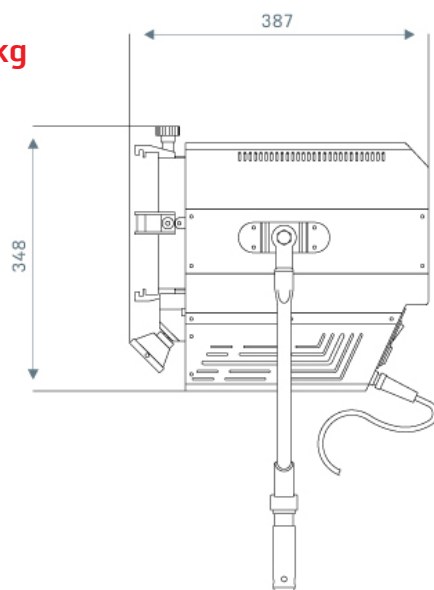
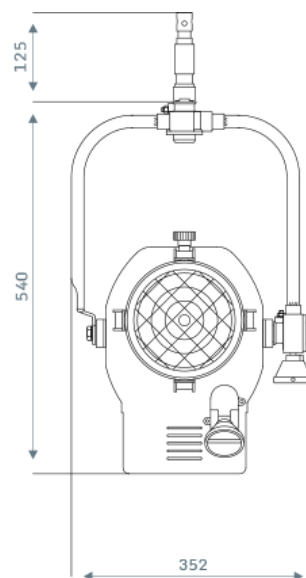
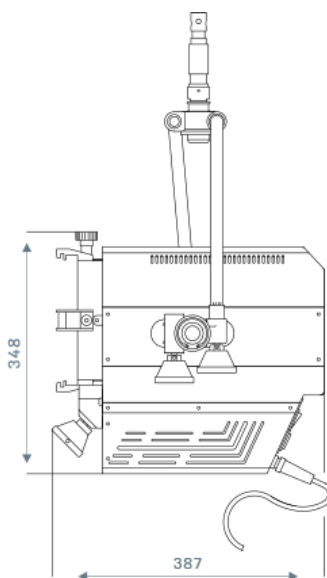


The new led technology now also performing well in studio applications

M.O. (manual) 8,3 kg

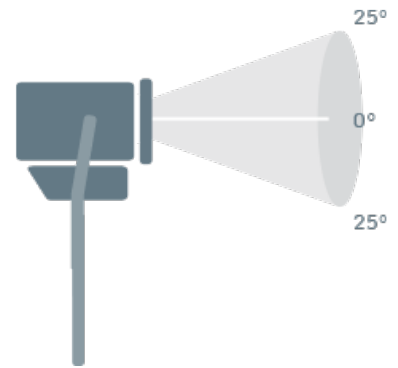


P.O. (pole) 9,5 kg



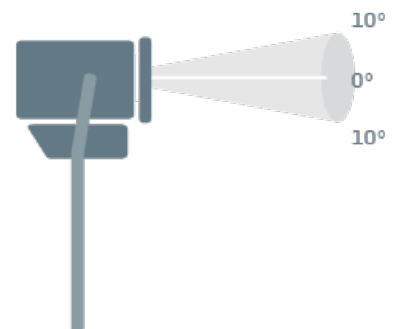
Photometrics (Beam Angle Flood 50°)

| distance | dimmer min | dimmer max | beam angle |
|----------|------------|------------|------------|
| 2 m | 246 lx | 2073 lx | 0° |
| 2 m | 105 lx | 1108 lx | 25° |
| 3 m | 115 lx | 997 lx | 0° |
| 3 m | 25 lx | 437 lx | 25° |
| 4 m | 69 lx | 580 lx | 0° |
| 4 m | 30 lx | 271 lx | 25° |
| 6 m | 31 lx | 263 lx | 0° |
| 6 m | 14 lx | 130 lx | 25° |



(Beam Angle Spot 20°)

| distance | dimmer min | dimmer max | beam angle |
|----------|------------|------------|------------|
| 2 m | 246 lx | 2073 lx | 0° |
| 2 m | 105 lx | 1108 lx | 10° |
| 3 m | 115 lx | 997 lx | 0° |
| 3 m | 25 lx | 437 lx | 10° |
| 4 m | 270 lx | 2378 lx | 0° |
| 4 m | 23 lx | 227 lx | 10° |
| 6 m | 31 lx | 263 lx | 0° |
| 6 m | 14 lx | 130 lx | 10° |



1810 Solaris led 150 150W

90-264VAC 50-60Hz with 4-leaf barndoor, gel frame and safety wire guard:

1810 M.O.

Manual operated.

Manual control of pan/tilt and Focus

1810 P.O.

Pole operated.

Pole operated control of pan/tilt and Focus

Accessories



1801

4-leaf barndoor



1802

Gel Frame



185

Double scrim

186

Single scrim



187

1/2 Double scrim

188

1/2 Single scrim