

# Ikegami

2M/E Digital Video Switcher

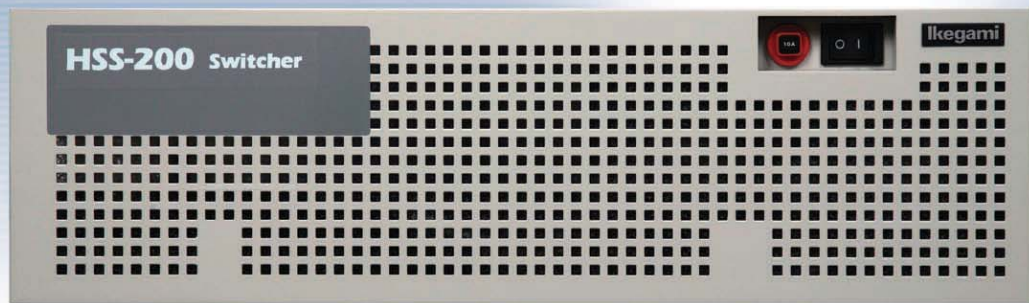
# HSS-200



2M/E

16 Input 6 Output

4 Keyer



## 2M/E Digital Video Switcher

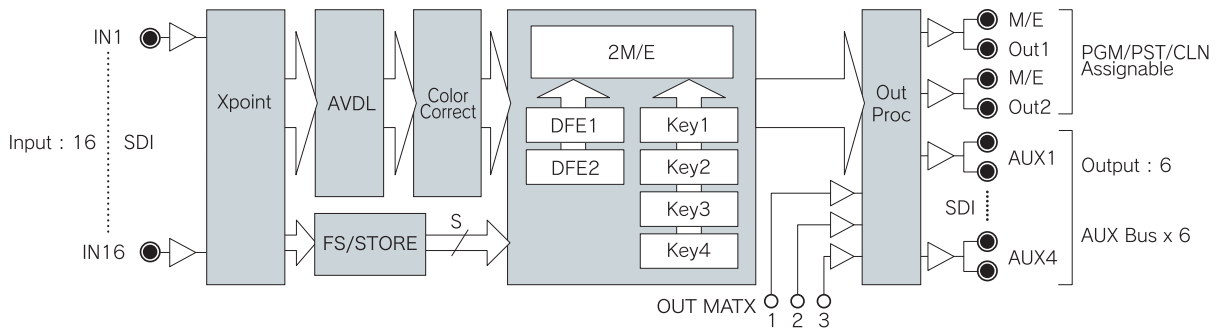
# HSS-200

The HSS-200 is a compact 16x6 I/O, 2M/E switcher which is optimized for live video production such as Flight Rack application or small mobile van installation.

Optional Tally Ports, Intercom Module, and Sync Generator support easy system integration.

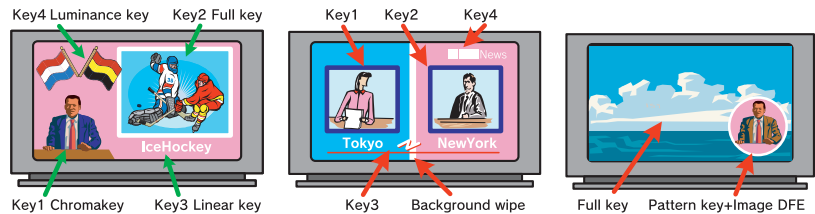


### System Diagram (including options)

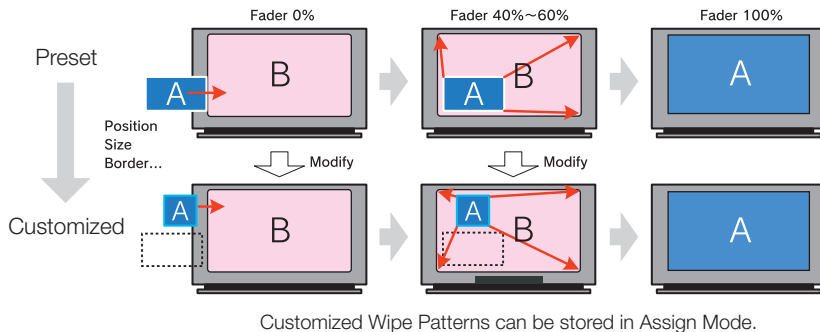


### Image Effects

400 preset/customized Wipe Patterns are available. Linear Key, Luminance Key, Chroma Key, Pattern Key or Full Key can be selectable.

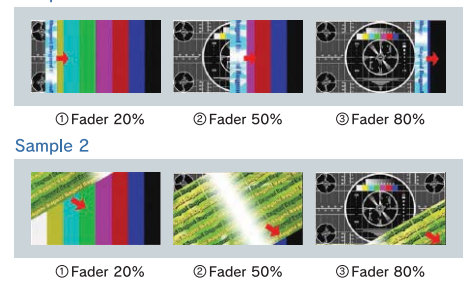


### Customized Preset Wipe Patterns



### CG Wipe

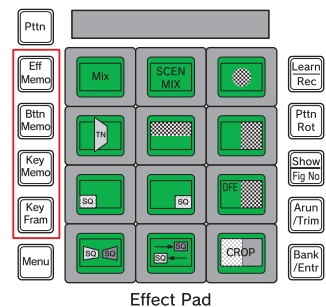
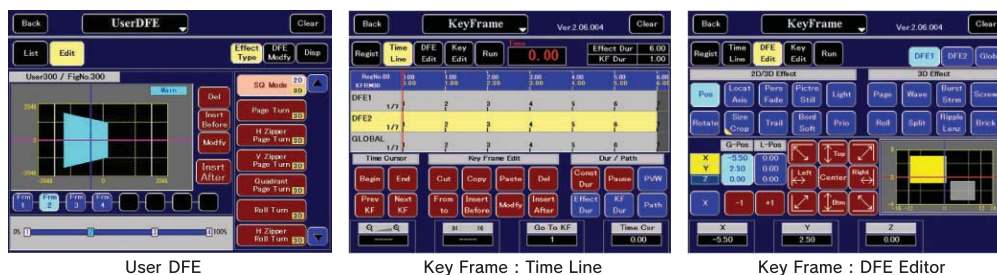
CG Wipe can be created with Key Frame and DFE



### Programmable Effects

7 modes of Programmable Effects are available as below:

- 1 Assign Mode Preset Wipe Pattern can be customized and stored.
- 2 Effect Memory Up to 100 patterns of M/E assignment, Transition pattern and Key Setup can be stored.
- 3 User DFE Up to 100 patterns of customized Wipe patterns can be stored
- 4 KEY Memory 4 patterns of Key Setup can be stored.
- 5 Source Memory Key setup for input sources and Color Corrector Setup can be stored.
- 6 Button Memory 100 patterns of operating order can be stored.
- 7 Key Frame Key Frame Memory for 2ch DVE (50 Frames x 14 Register)



# Operation Console and Mainframe



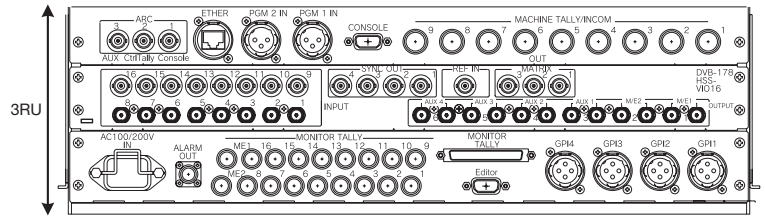
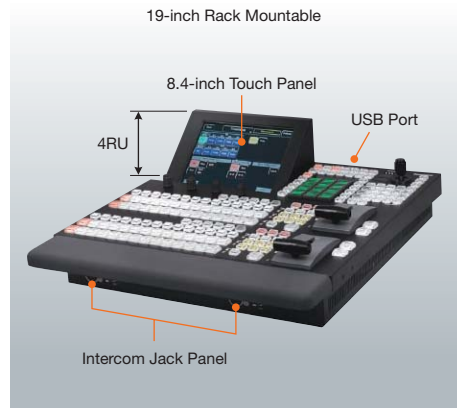
Operation Console

## Operation Console

- Supports PGM/PST transition
- 14 Cross Point Buttons
- 8.4-inch LCD Touch Panel
- USB port for Setup Data Storage
- 19-inch Rack Mountable Width and 4RU Height

## Mainframe

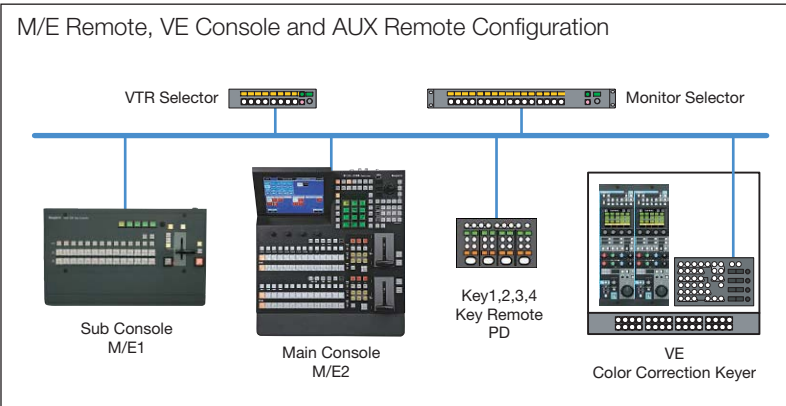
- Low Power Consumption, 150W or less
- 19-inch Rack Mountable Width and 3RU Height
- Optional Tally, Intercom, GPI, Sync Generator and Editor I/F available



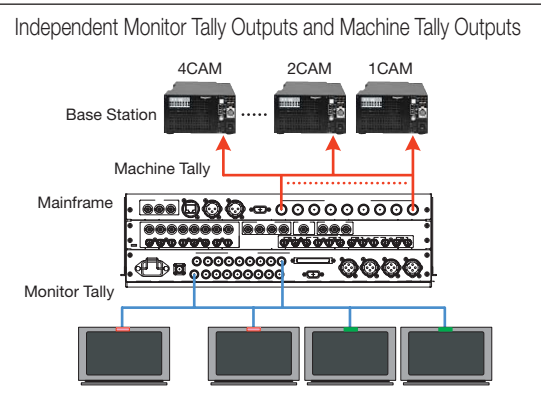
Mainframe Rear Panel (with Options)

# System Examples (with Options)

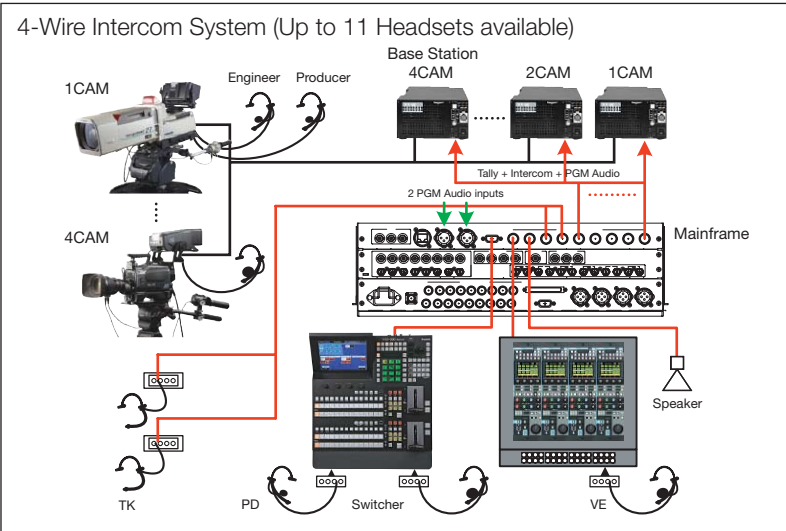
## M/E Remote, VE Console and AUX Remote Configuration



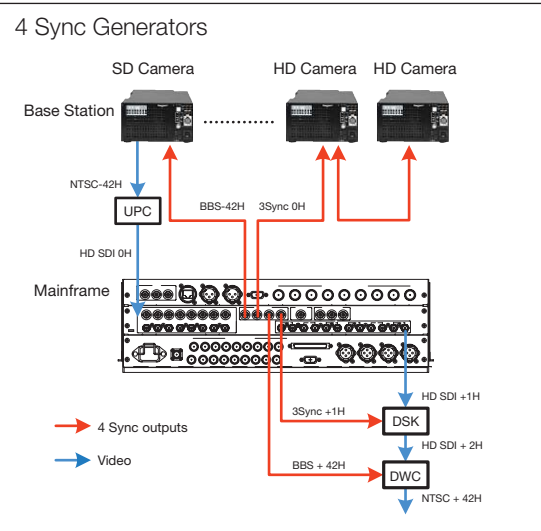
## Independent Monitor Tally Outputs and Machine Tally Outputs



## 4-Wire Intercom System (Up to 11 Headsets available)



## 4 Sync Generators



# 2M/E Digital Video Switcher HSS-200

## Configurations

1. Standard Configuration	
Description	Feature
HSS-200 Mainframe	16 Input and 6 Output, 2M/E, 2ch DVS-084 2D DVE Sub Module installed, 3RU Height
DCC-037 Operation Console	2M/E, 19-inch rack width, Rackmountable, 4RU Height
Standard Accessory	2x AC Cable for Mainframe and Operation Console 1x 5m ARCNET Cable 1x 5m ETHERNET Cable 1x CD-R, PDF Operation Manual
2. Factory Option	
Description	Feature
DVS-070 3D DFE Sub Module	1ch 3D DFE Sub Module, Up to 2x DVS-070 can be installed.
DVS-084 2D DFE Sub Module	1ch 2D DFE Sub Module, Up to 2x DVS-084 can be installed.
4-Wire Intercom Function	Supports up to 11 Headsets, Including Machine Tally/Intercom Rear Panel
DCP-004 Intercom Module(2x)	Intercom Terminal for Operation Console (*1)
Monitor Tally Connector Panel	18 Separate Tally Out Connectors, Red/Green Tally Open-Collector Output
Additional Still Store/Frame Synchronizer	Still Store: Output 2ch → 8ch / 7 Frames → 28 Frames, FS: 1ch → 4ch (*2)
4ch Sync Generator	4ch Black Burst/Tri-level Sync Output
Output Matrix Function	Additional Cross-points for 3 inputs to assign AUX1-4 Outputs
Monitor Tally Multi-Connector	Red/Green Tally Open-Collector Output assigned to 68 pin Multi-Connector (*3)
4ch GPI Port	4x XLR-4 Connector
Redundant Power Supply for Mainframe	One AC Input is used for 2 Power Supplies
RS-422 Interface	For RS-422 Editor Interface
3. Other Option	
Description	Feature
Desk Mount Adaptor for Console	Mount Adaptor for Console
Rack Mount Adaptor for Console	Mount Adaptor for 19-inch Rack with Drawer Mechanism
Slide Rail Set for Mainframe	To fix rear side of Electronic Frame onto Rack
Carrying Case for Console	Open Top Type
Carrying Case for Mainframe	Front/Rear Open Type
Operation Manual (Printed Book)	CD Manual included as Standard Accessory
4. Remote Panel / Adaptors	
Description	Feature
DCC-040 M/E Remote Panel	Able to assign 1M/E to DCC-040
DCP-230 CTRL-16 Panel	8 Buttons / 2 Rows, AUX Bus Control Panel, 19-inch Half Width / 1RU
Rack Mount Adaptor for DCP-230	19-inch Width with Blank Panel
DCP-142 CTRL-32 Panel	16 Buttons / 2 Rows, AUX Bus Control Panel, 19-inch Width / 1RU
DCX-122 CTRL-16 Box	8 Buttons / 2 Rows, AUX Bus Control Box
DCX-110 CTRL-32 Box	16 Buttons / 2 Rows, AUX Bus Control Box
DPX-002 AC Adaptor	AC Adaptor for Remote Panel/Box
DCF-035 ARCNET HUB	8 Ports / 50W Power Supply, 19-inch Half Width / 1RU
DCF-032 ARCNET HUB	16 Ports / 100W Power Supply, 19-inch Width / 1RU
DCF-033 ARCNET HUB	16 Ports / 100W Power Supply, 19-inch Half Width / 1RU
Rack Mount Adaptor for DCF-033/035	19-inch Width with Blank Panel
DCX-160 KEY REMOTE BOX	XLR-4 Connector Interface
DCB-493 SW-4DSK Unit	4 DSK Controller
DAX-003 Intercom Terminal Box	Supports 4-Wire Intercom with Headset Amplifier (*1)
DCX-175 VE Console Box	Color Corrector/Keyer Control Box (Table Top)
DCP-234 VE Console Panel	Color Corrector/Keyer Control Panel (Rack Mount)
Rack Mount Adaptor for DCP-234	19-inch Width with Blank Panel
DCP-235 VE Console Panel	Color Corrector/Keyer Control Panel (19-inch Drawer Mount)
DCX-173 Tally Distribution Box	R/G Tally and M/E Tally Distribution for 16 Input Source
DCX-142 Tally Box	R/G Tally and Source Name Indication
ARCNET IF Unit	Adsub1549A-5000 (USB ↔ ARCNET Conversion) for SST (*4)

Note:

- \*1: Optional '4-Wire Intercom Function' required
- \*2: SS and FS share the internal memory with trade-off basis (2ch SS = 1ch FS)
- \*3: Either Multi-Connector or Separate Connectors can be installed
- \*4: Ikegami's original Setup Terminal Application

## Rating / Performance

Video Input	16 Inputs / HD-SDI (SMPTE292M) or SD-SDI (SMPTE259M)
Video Output	6 Outputs / HD-SDI (SMPTE292M) or SD-SDI (SMPTE259M)
External Sync Input	Tri-level Sync, ±0.3V High Impedance or Black Burst, 0.286Vp-p High Impedance
Video Delay	1.0H Typical, ±0.3H adjustable
AVDL Timing	-1.3H ~ +0.7H against Reference Signal
Output Phase control Range	+0.3H ~ +1.3H against Reference Signal
Control System Delay	3VD (50ms) or less
Ambient Temperature	0 ~ 40 °C (+32 ~ +104 °F): Full Performance Assured 0 ~ 45 °C (+32 ~ +112 °F): Operation Assured
Control Cable	ETHERNET: 100Base-TX/RJ-45 Cable, Up to 100m ARCNET: @BNC 75 ohm Cable, Up to 200m
Power Requirement	117VAC (85V ~ 132V) / 220VAC (170V ~ 264V), 50/60Hz
Recovery after Power Down	Within 24 hours: Automatic recovery as it was. Over 24 hours: Back to initial user setup.
Dimensions	Operation Console: W 440 x H155 x D420 mm ( W19.02 x H6.10 x D16.54 inch) / 4RU Mainframe: W483 x H132 x D500 mm ( W19.02 x H5.20 x D19.69 inch) / 3RU
Power Consumption	Operation Console: 50VA or less Mainframe: 150VA or less
Weight	Operation Console: 11kg (24.25lbs) Mainframe: 15kg (33.07lbs)

Design and specifications are subject to change without notice.

SH93A103-HI

**Ikegami** IKEGAMI ELECTRONICS (U.S.A.), INC. ■ URL <http://www.ikegami.com>

**HEADQUARTERS** 37 BROOK AVENUE, MAYWOOD, NJ 07607  
Phone:(201) 368-9171 Fax:(201) 569-1626

**WESTCOAST OFFICE** Phone:(310) 297-1900  
**MIDWEST OFFICE** Phone:(614) 834-1350

**SOUTHWEST OFFICE** Phone:(972) 869-2363  
**SOUTHEAST OFFICE** Phone:(954) 571-7177



Certified  
JQA-0755

Certified  
JQA-EM3888