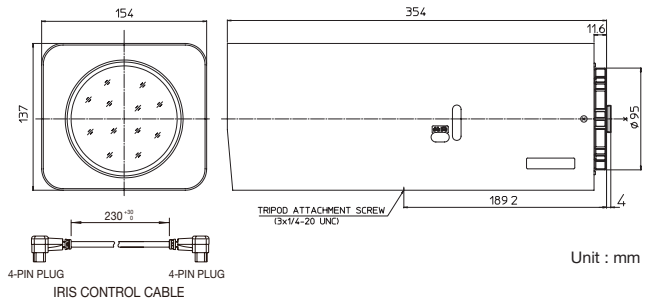


D60x12.5BE-V41 / D60x12.5R3DE Series

Day
Night

60x

D60x12.5R3DE-V41
D60x12.5R3DE-ZP1



Unit : mm

D60x12.5BE-V41

Zoom Motor Drive Wide Angle Long Focal Telephoto Auto Iris Video Iris-Remote C Mount Metal Mount Potentiometer ND Filter Extender RoHS Compliant

ZOOM MOTOR DRIVE WIDE TELE VIDEO IRIS-REMOTE C-mt METAL PRESET ND 2x RoHS

D60x12.5R3DE Series

Zoom Motor Drive Wide Angle Long Focal Telephoto Auto Iris Video Iris-Remote C Mount Metal Mount Potentiometer ND Filter Extender PC Control Full Servo RoHS Compliant

ZOOM MOTOR DRIVE WIDE TELE VIDEO IRIS-REMOTE C-mt METAL PRESET ND 2x PC SERVO RoHS

-V41 -ZP1 -ZP1

		Applicable to 1/2		Applicable to 1/2		Applicable to 1/2	
		D60x12.5BE-V41		D60x12.5R3DE-V41		D60x12.5R3DE-ZP1	
Focal Length (mm)	1x			12.5 - 750(60x)			
	2x			25 - 1500(60x)			
Iris Range	1x			F3.8 - T3000(Equivalent to F3000)			
	2x			F7.6 - T3000(Equivalent to F3000)			
Operation	Zoom			Motor Drive		Servo Control	
	Focus			Motor Drive		Servo Control	
	Iris			Auto (Video Type) or Remote*1*2		Auto (Video Type) or Remote or Servo Control*1*2	
Angle Of View (HxV)	1/2"	1x	WIDE	28° 43' x 21° 44'			
			TELE	0° 29' x 0° 22'			
		2x	WIDE	14° 35' x 10° 58'			
	1/3"	1x	WIDE	21° 44' x 16° 23'			
			TELE	0° 22' x 0° 17'			
		2x	WIDE	10° 58' x 8° 14'			
TELE	0° 11' x 0° 08'						
Focusing Range (From Front Of The Lens)(m)			∞ - 5				
Object Dimensions at M.O.D. (HxV) (mm)	1/2"	1x	WIDE	2465 x 1849			
			TELE	41 x 31			
		2x	WIDE	1233 x 924			
	1/3"	1x	WIDE	1849 x 1387			
			TELE	31 x 23			
		2x	WIDE	925 x 693			
TELE	16 x 12						
Back Focal Distance (in air) (mm)			53.23				
			31.10				
Exit Pupil Position (From Image Plane) (mm)			-77				
			-38				
Filter Thread (mm)			M107 x 1				
Extender			2x				
Mass (g)	5100				5200		
Wiring Diagram			P24				

* 1 : When power is turned off, iris will automatically close.

* 2 : For details on the Iris-Remote connection, see the relevant Technical Reference (Page 28).